

RTDs and Metal Transitions Style



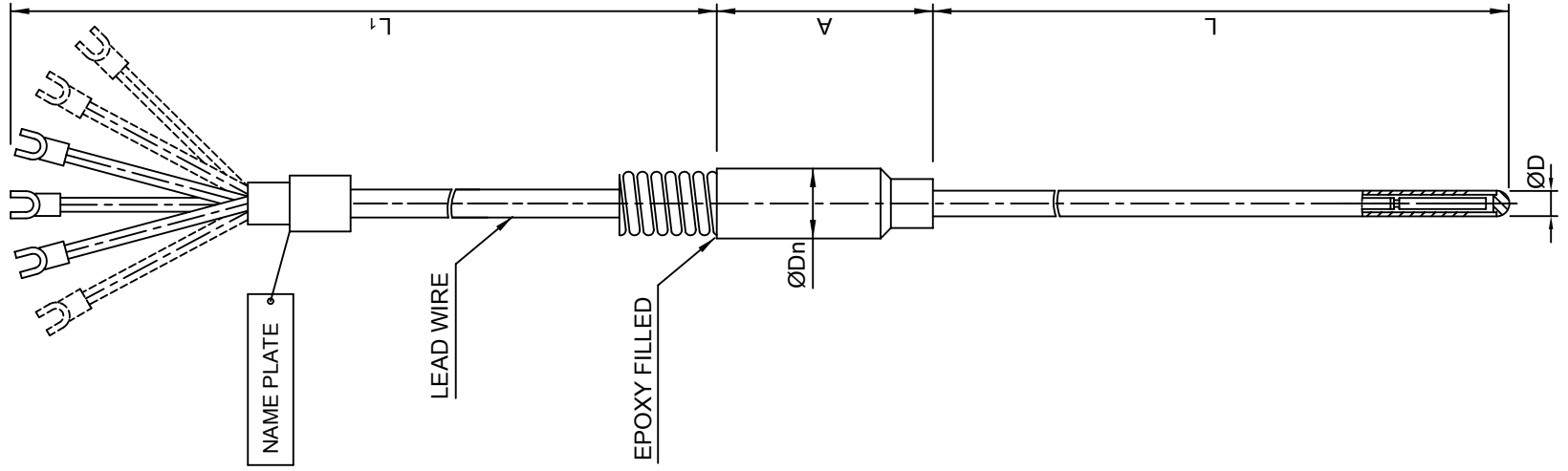
- **1.** PSR-222 Style
- Sheath 316
- **2.** Calibration
- Pt100Ω 3Wire
- **3.** Number Of Element
- S = Single
- D= Double
- **4.** Sheath O.D.(mm)
- 3 = 3.2(mm)
- 4 = 4.8 (mm)
- 6 = 6.4 (mm)
- 8 = 8.0 (mm)
- **5.** Junction
- U = Ungrounded
- **6.** Sheath Length (L)
- A = 100
- B = 150
- C = 200
- D = 50 - 999
- **7.** Lead Length(L)
- A = 1000(mm)
- B = 2000(mm)
- C = 3000(mm)
- D = 4000(mm)
- E = 5000(mm)

4
3
2
1

F D C B A

RESISTANCE BULBS

MODEL
PIR-222



- * GENERAL SPECIFICATION**
- PROBE TYPE METAL TUBE TYPE
 - TRANSITION SLEEVE WITH TEFLON
 - MOUNTING TYPE INSULATED LEAD WIRE
 - NONE

*** ORDER SPECIFICATION**

- ELEMENT
- 1** CALIBRATION
 - 1. KPt 100 SINGLE
 - 3. Pt 100 SINGLE
 - 5. OTHER []
 - 2. KPt 100 DUAL
 - 4. Pt 100 DUAL
- 2** GRADE
 - 1. KS-B CLASS
 - 3. OTHER []
 - 2. KS-A CLASS
- 3** PROTECTION TUBE
- 3** MATERIAL
 - 1. SUS304
 - 2. SUS316
 - 3. OTHER []
- 4** OUT DIA (ØD)
 - 1. 6.4
 - 2. 8
 - 3. 10
 - 4. OTHER []
- 5** LENGTH (L)
 - _____ mm
- 6** SLEEVE
 - OUT DIA (ØDn) _____
 - LENGTH (A) _____ mm
- 7** LEAD WIRE
 - _____ mm
- 8** NUMBER OF LEAD WIRE
 - 1. 2 WIRE
 - 2. 3 WIRE
 - 3. 4 WIRE
 - 4. 6 WIRE
- 9** COVER MATERIAL
 - 1. NONE
 - 2. METAL SHIELD
 - 3. FLEXIBLE TUBE
- 10** LENGTH (L) ¹
 - _____ mm
- SPECIAL REQUIREMENT

i-SENSOR
 CO. (주)아이센서

CUSTOMER

DRAW	DESI	CHEC	APP	SCALE	N/S	DATE
				DWG. NO		

4
3
2
1